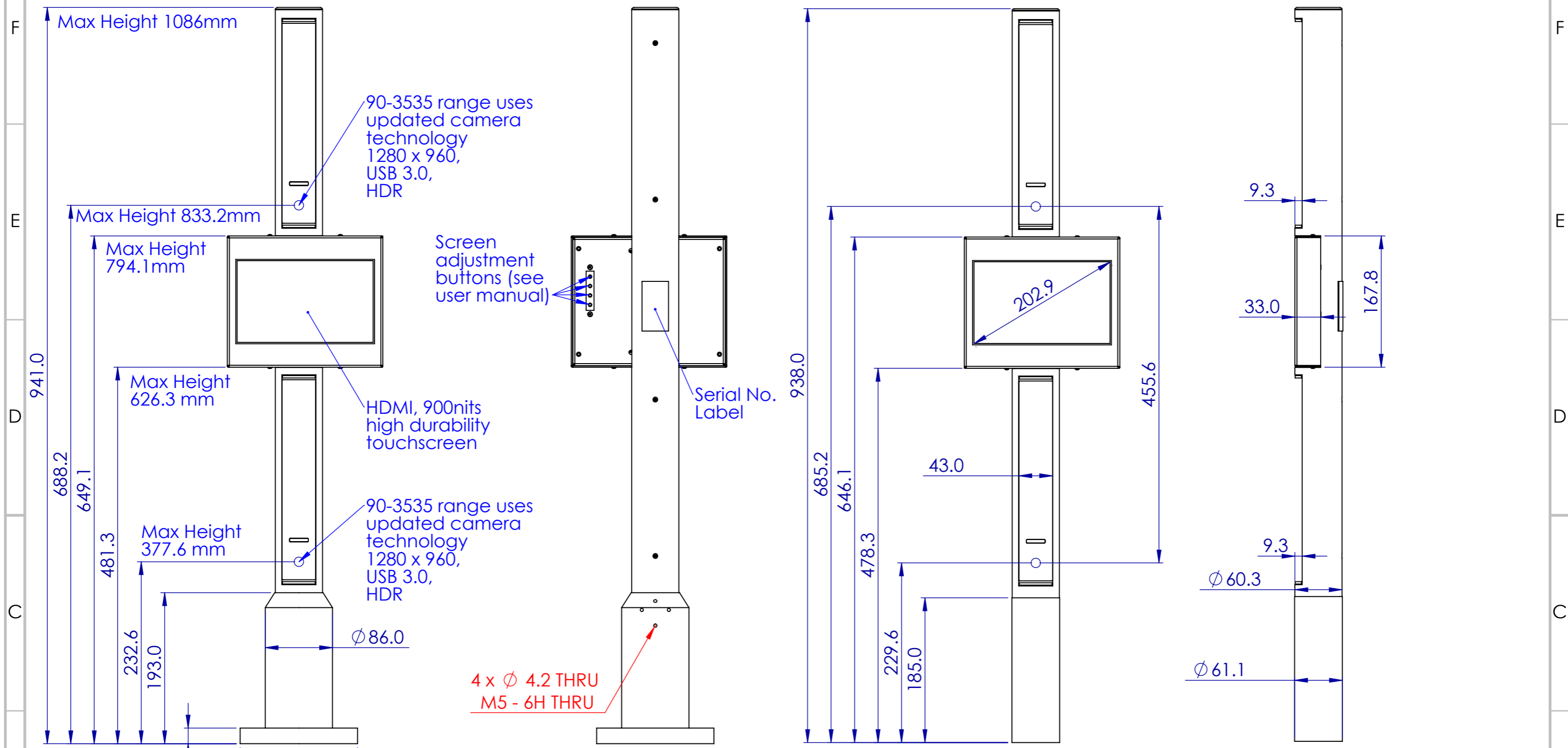


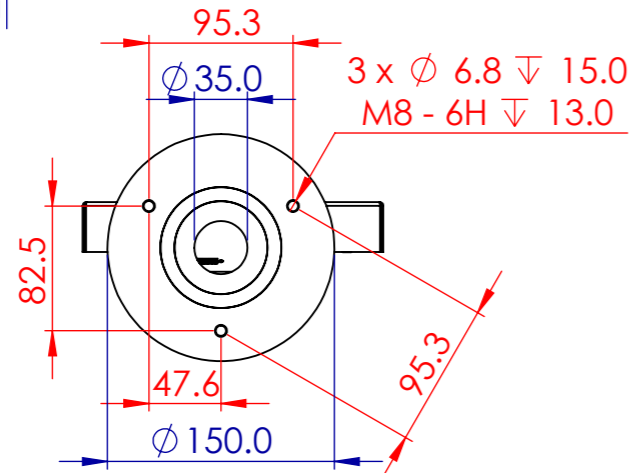
**90-3535LB-938 ASLOC DUAL POLE, WITH 8" LANDSCAPE SCREEN AND BASE**

**90-3535L-938 ASLOC DUAL POLE, WITH 8" LANDSCAPE SCREEN**



Drawn at minimum height

Bottom view (with base)

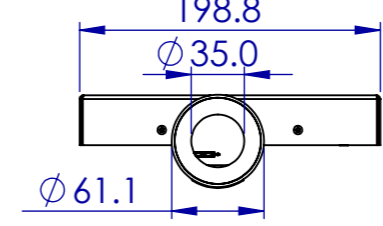


4 x Ø 4.2 THRU  
M5 - 6H THRU

Height Adjustment 145mm

Height adjustment achieved by slightly loosening four M5 grub screws located at the top of the base to free the pole. Please note if adjusting from a position higher than minimum, hold the pole to avoid it dropping.

Bottom view (without base)



The screen is offset for a left side gate where the pole is fitted at 35 degrees, centralising the screen at this angle giving 180mm width. Please note the screen can be centralised for a right sided gate also or centralised for viewing front on, please specify offset upon placement of order

FINISH: Black Dry Powder Coated		DEBURR AND BREAK SHARP EDGES
NAME	SIGNATURE	DATE
DRAWN M Wilkinson		25/06/2024
CHK'D John Hyde		25/06/2024

**Perception Sensors & Instrumentation LTD.**

Description:  
90-3535L-938 ASLOC Dual USB3 Pole 938 with 8" Landscape Screen

UNLESS OTHERWISE SPECIFIED:  
DIMENSIONS ARE IN MILLIMETERS and degrees  
TOLERANCES:  
LINEAR: 0.1  
ANGULAR: 0.5

PROPRIETARY AND CONFIDENTIAL  
THE INFORMATION CONTAINED IN THIS DRAWING IS THE SOLE PROPERTY OF PERCEPTION SENSORS & INSTRUMENTATION LTD. ANY REPRODUCTION IN PART OR AS A WHOLE WITHOUT THE WRITTEN PERMISSION OF PERCEPTION SENSORS & INSTRUMENTATION LTD. IS PROHIBITED.

MATERIAL: Aluminium	DWG NO. 90-3535L-938	REVISION: 2
WEIGHT: 4112.3	SCALE: 1:5	DO NOT SCALE DRAWING
SHEET 1 OF 1		A3