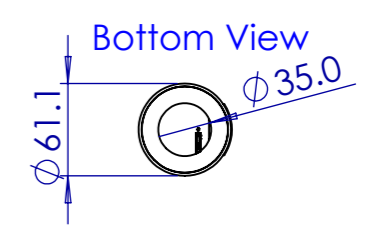
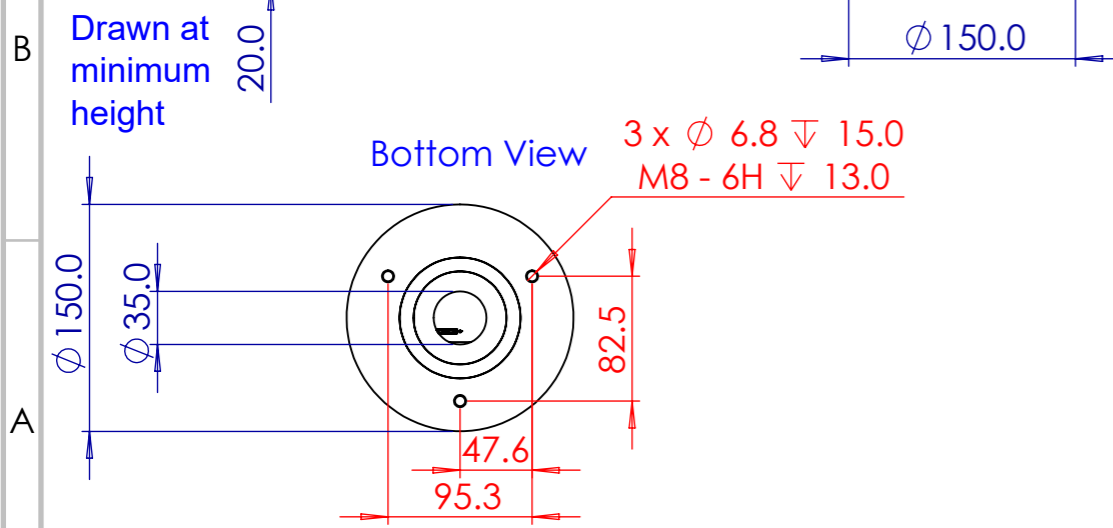
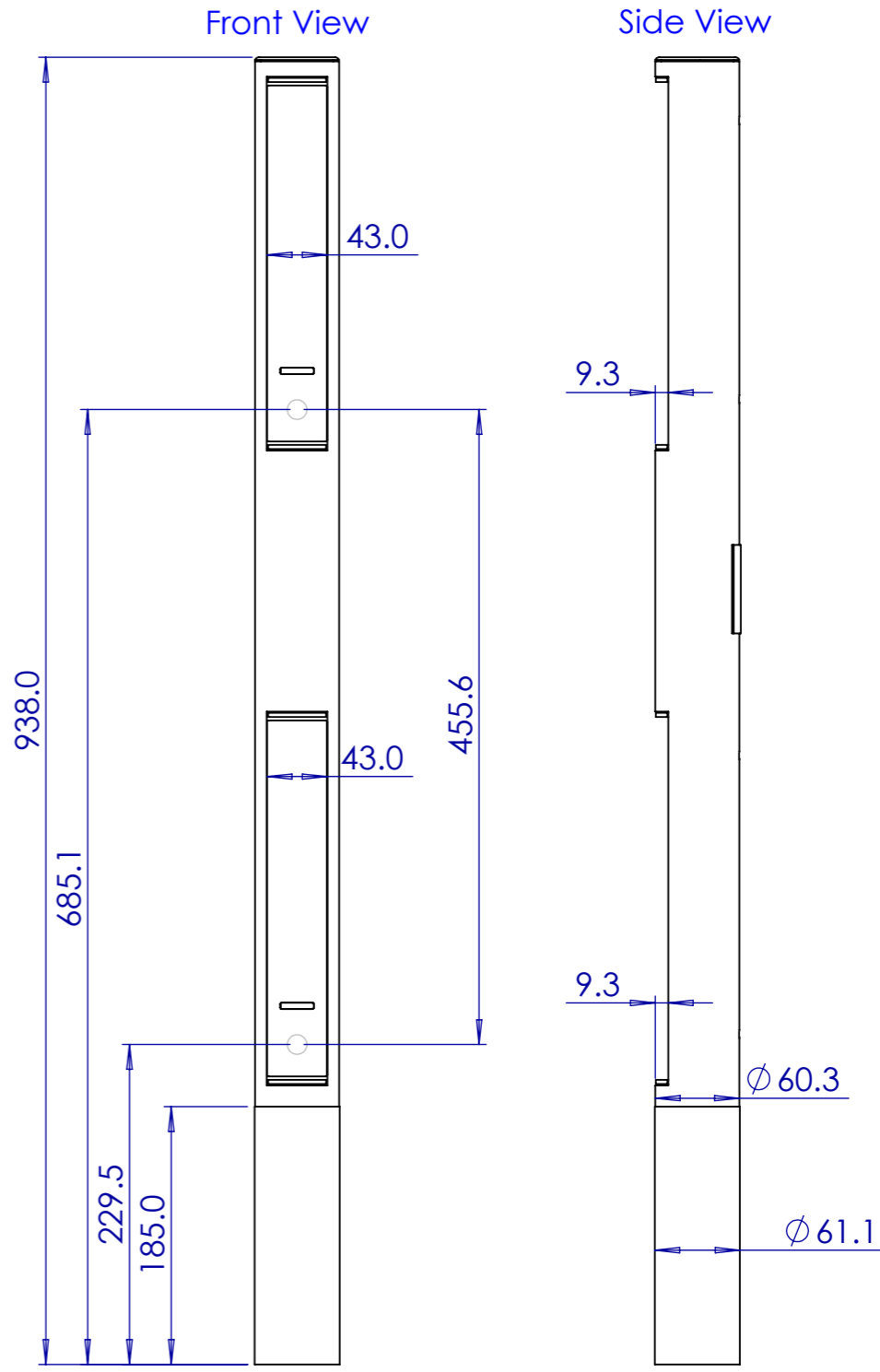
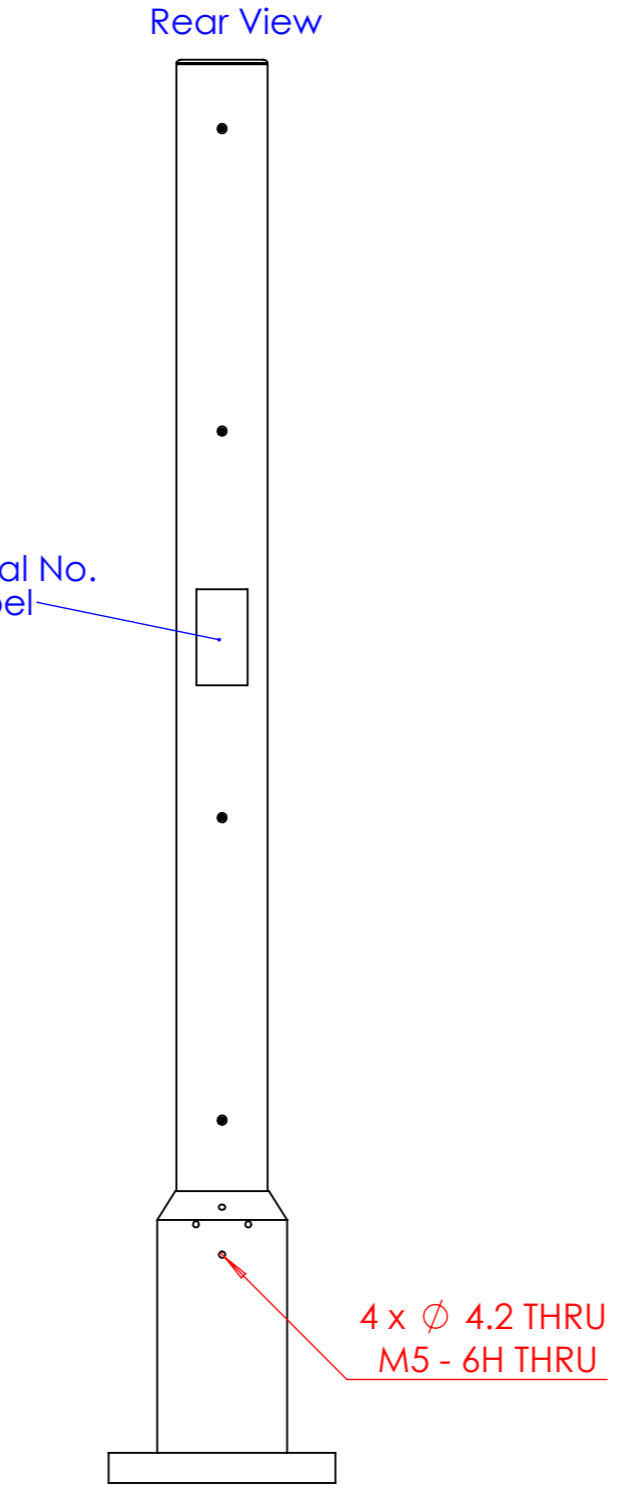
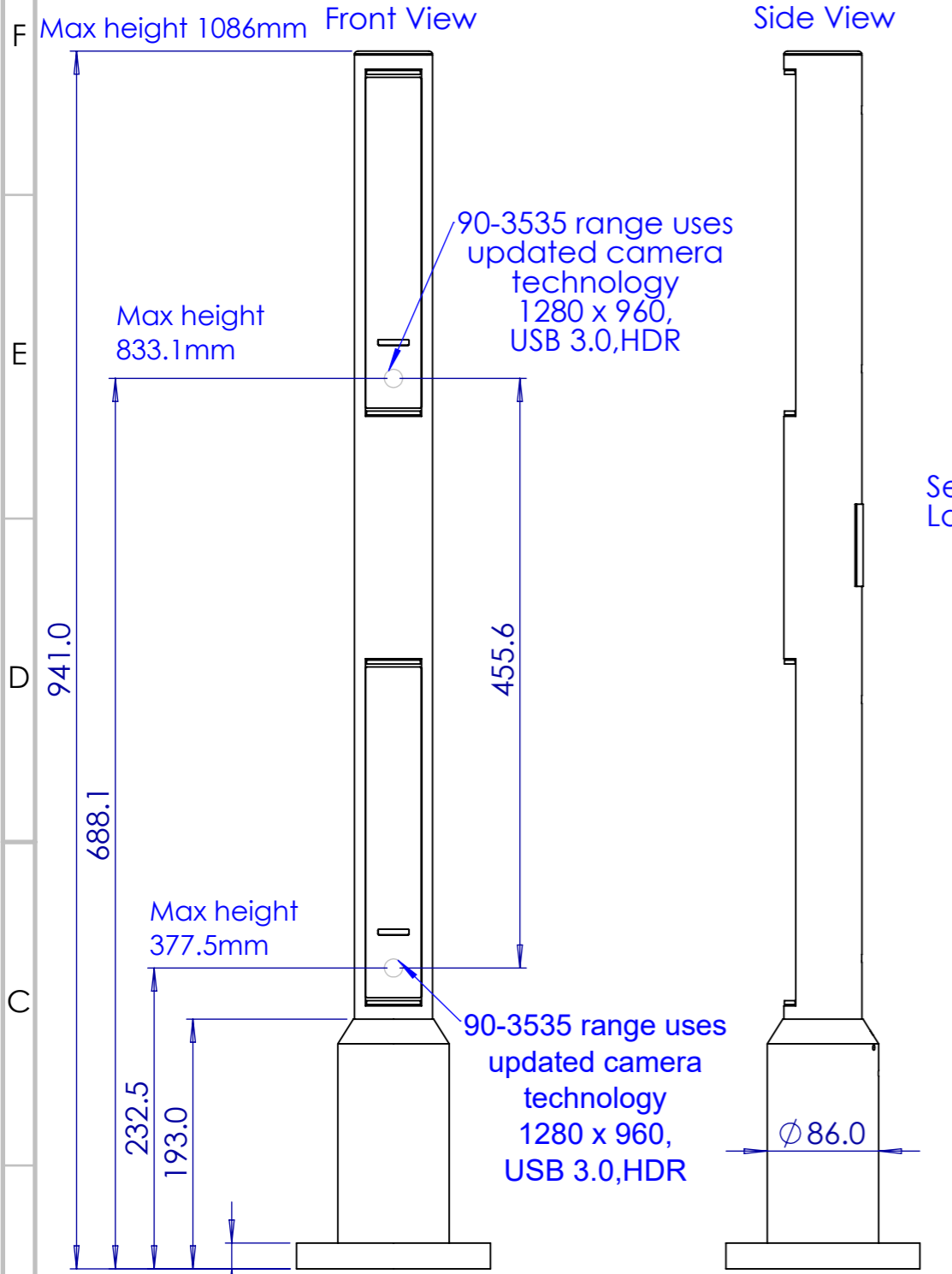


90-3535B-938 ASLOC Dual USB3 938 with base

90-3535-938 ASLOC Dual USB3 938



Height Adjustment 145mm
Height adjustment achieved by slightly loosening four M5 grub screws located at the top of the base to free the pole. Please note if adjusting from a position higher than minimum, hold the pole to avoid it dropping.

FINISH: Black Dry Powder Coated		DEBURR AND BREAK SHARP EDGES		Perception Sensors & Instrumentation LTD.	
Description: 90-3535-938 ASLOC Dual USB3 Pole Assembly - 938		MATERIAL: Aluminium		DWG NO. 90-3535-938	
NAME: M Wilkinson	SIGNATURE:	DATE: 25/06/2024	REVISION: 1	A3	
CHK'D: John Hyde	DATE: 25/06/2024	WEIGHT: 2819.0	SCALE: 1:5	DO NOT SCALE DRAWING	
UNLESS OTHERWISE SPECIFIED: DIMENSIONS ARE IN MILLIMETERS and degrees TOLERANCES: LINEAR: 0.1 ANGULAR: 0.5		PROPRIETARY AND CONFIDENTIAL THE INFORMATION CONTAINED IN THIS DRAWING IS THE SOLE PROPERTY OF PERCEPTION SENSORS & INSTRUMENTATION LTD. ANY REPRODUCTION IN PART OR AS A WHOLE WITHOUT THE WRITTEN PERMISSION OF PERCEPTION SENSORS & INSTRUMENTATION LTD. IS PROHIBITED.		SHEET 1 OF 1	