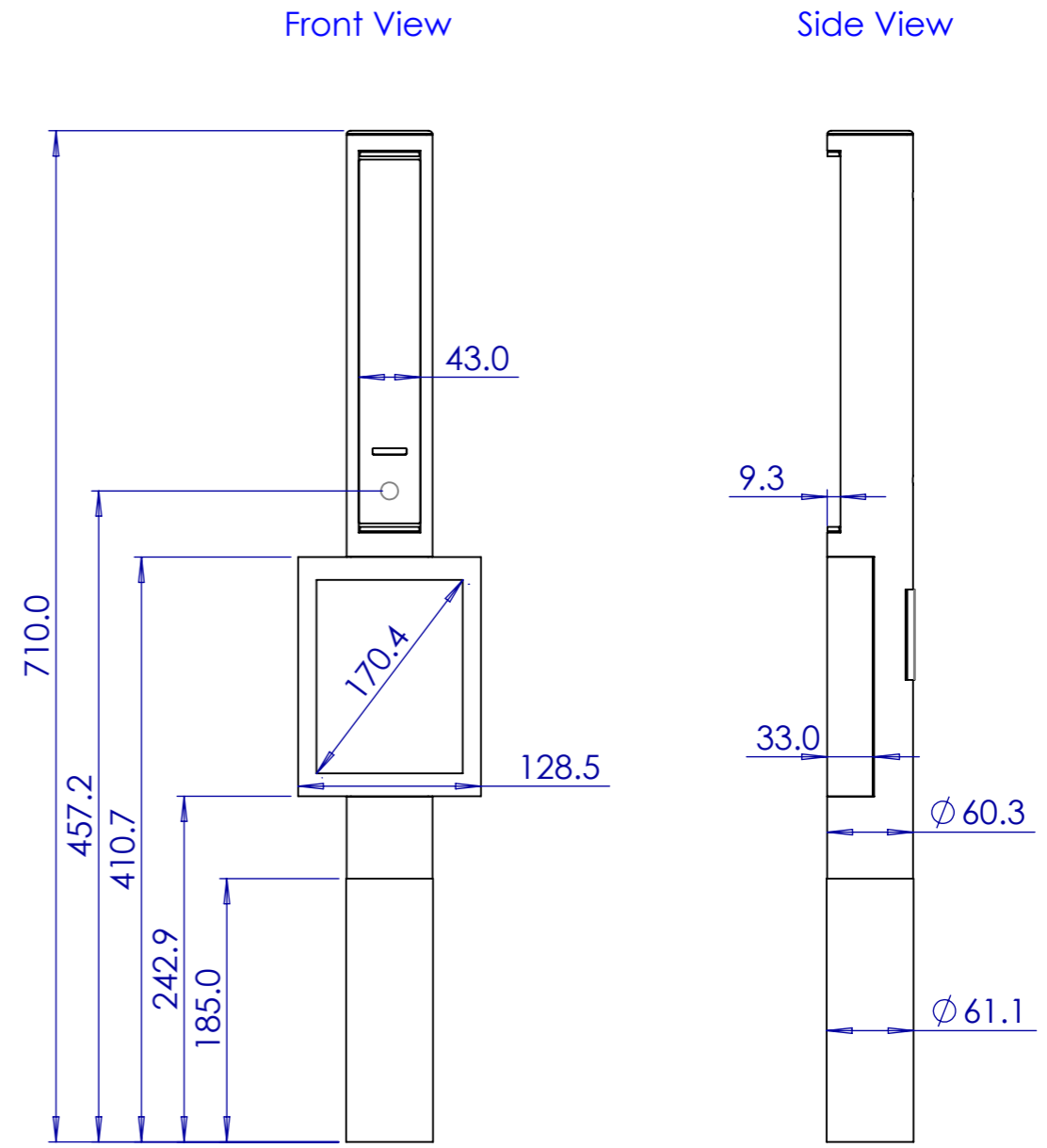
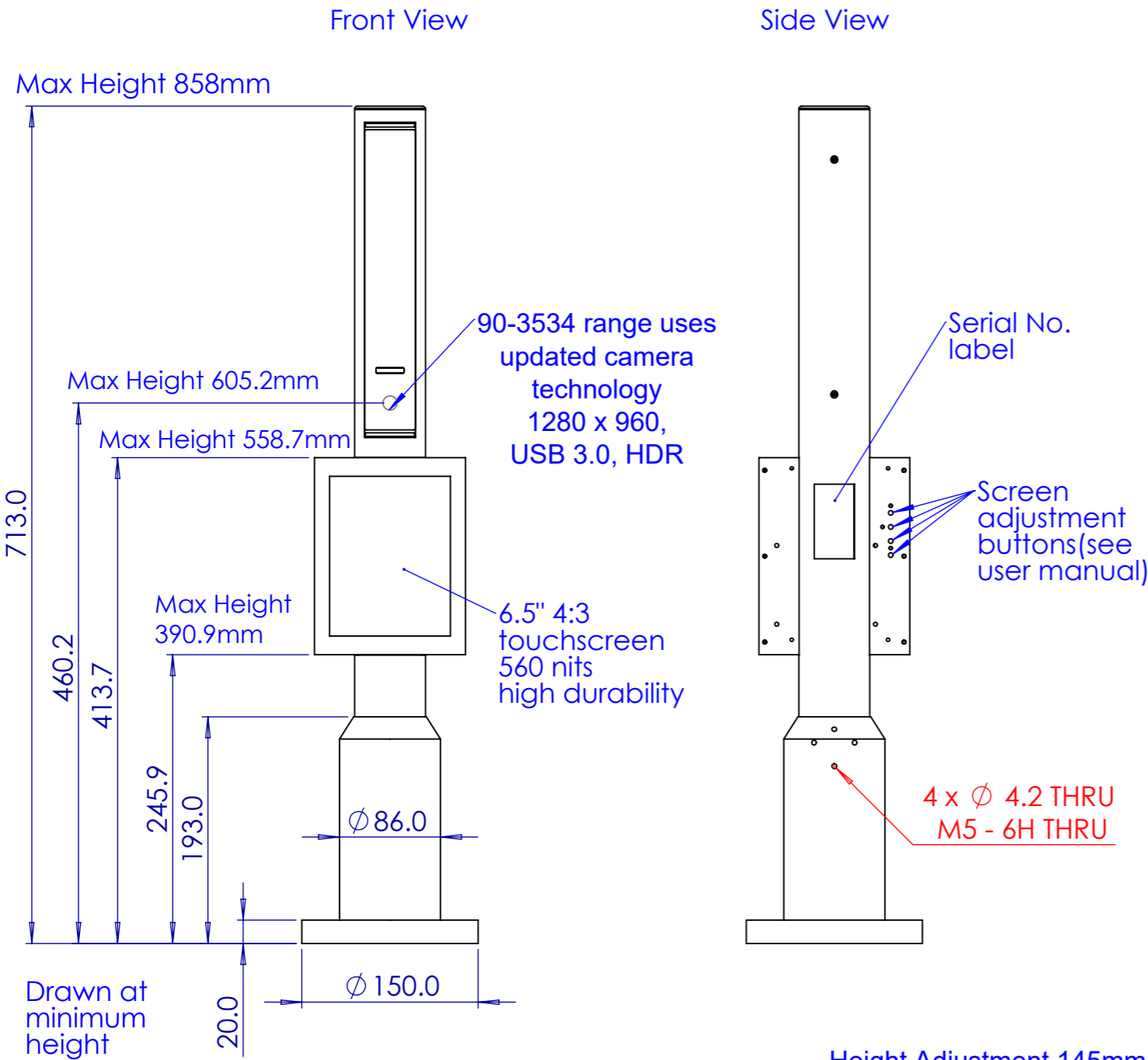


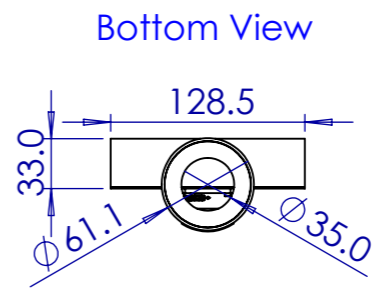
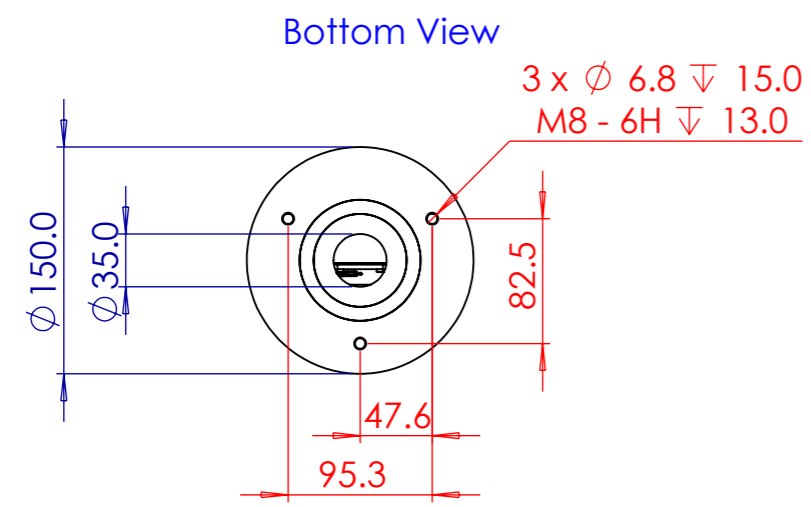
90-3534PB-710 - ASLOC SINGLE USB3 with protrait screen and base 710mm

90-3534P-710 - ASLOC SINGLE USB3 with protrait screen 710mm



Height Adjustment 145mm

Height adjustment achieved by slightly loosening four M5 grub screws located at the top of the base to free the pole. Please note if adjusting from a position higher than minimum, hold the pole to avoid it dropping.



FINISH: Black Dry Powder Coated		DEBURR AND BREAK SHARP EDGES	<b>Perception Sensors &amp; Instrumentation LTD.</b>	
NAME: M Wilkinson		SIGNATURE:	Description: 90-3534P-710 ASLOC Single 710 USB3 with Portrait Screen	
DATE: 25/06/2024		DATE: 25/06/2024	MATERIAL: Aluminium	DWG NO.: 90-3534P-710
CHK'D: John Hyde		DATE: 25/06/2024	WEIGHT: 2426.9	REVISION: 1
UNLESS OTHERWISE SPECIFIED: DIMENSIONS ARE IN MILLIMETERS and degrees TOLERANCES: LINEAR: 0.1 ANGULAR: 0.5		PROPRIETARY AND CONFIDENTIAL THE INFORMATION CONTAINED IN THIS DRAWING IS THE SOLE PROPERTY OF PERCEPTION SENSORS & INSTRUMENTATION LTD. ANY REPRODUCTION IN PART OR AS A WHOLE WITHOUT THE WRITTEN PERMISSION OF PERCEPTION SENSORS & INSTRUMENTATION LTD. IS PROHIBITED.		SCALE: 1:5 DO NOT SCALE DRAWING SHEET 1 OF 1 A3