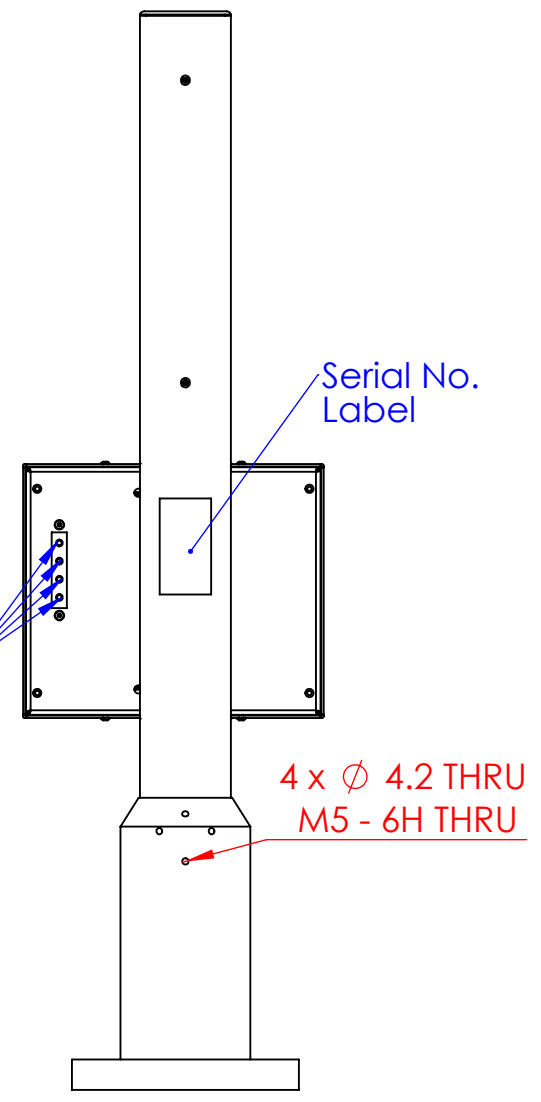
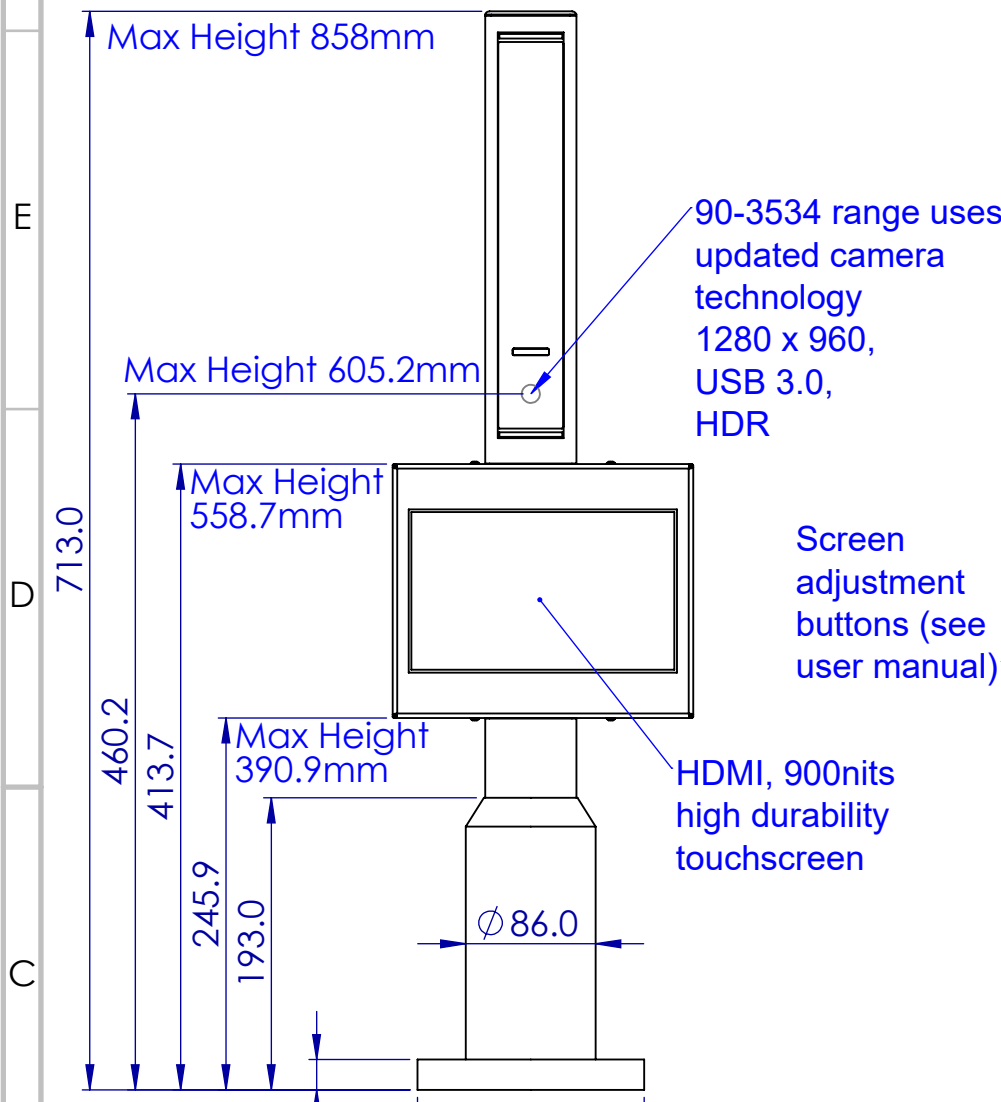


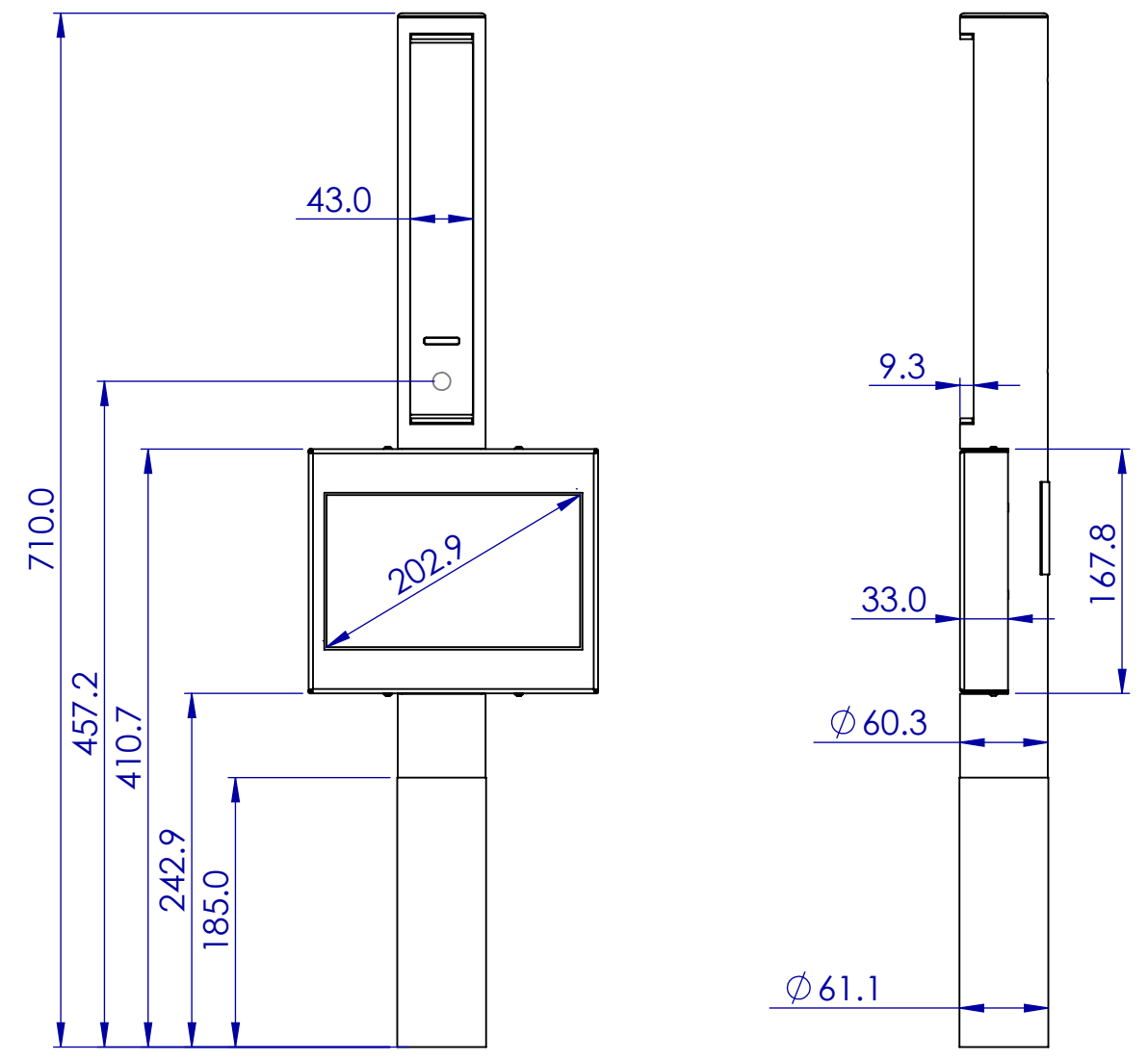
90-3534L8B-710 ASLOC SINGLE POLE WITH 8" LANDSCAPE SCREEN AND BASE

90-3534L8-710 ASLOC SINGLE POLE WITH 8" LANDSCAPE SCREEN

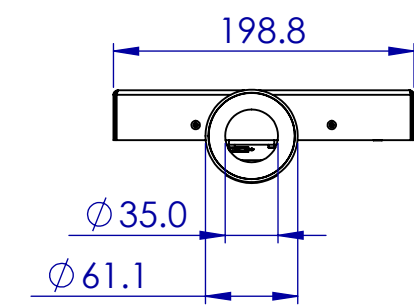


Height Adjustment 145mm

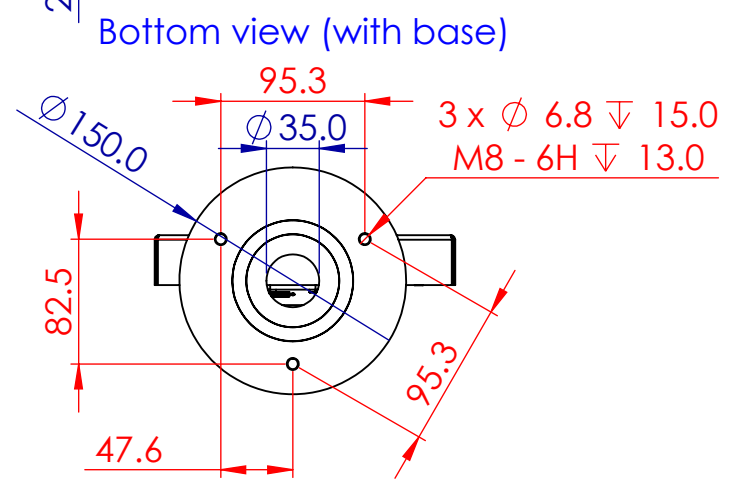
Height adjustment achieved by slightly loosening four M5 grub screws located at the top of the base to free the pole. Please note if adjusting from a position higher than minimum, hold the pole to avoid it dropping.



Bottom view (without base)



The screen is offset for a left side gate where the pole is fitted at 35 degrees, centralising the screen at this angle giving 180mm width. Please note the screen can be centralised for a right sided gate also or centralised for viewing front on, please specify offset upon order placement.



Bottom view (with base)

FINISH: Black Dry Powder Coated			DEBURR AND BREAK SHARP EDGES			<b>Perception Sensors &amp; Instrumentation LTD.</b>		
Description: 90-3534L8-710 ASLOC Single USB3 with Landscape 8" Screen 710			MATERIAL: Aluminium			DWG NO. 90-3534L-710		
NAME	SIGNATURE	DATE	WEIGHT: 3455.0			SCALE: 1:5		
DRAWN: M Wilkinson		25/06/2024	DO NOT SCALE DRAWING			REVISION: 2		
CHK'D: John Hyde		25/06/2024	SHEET 1 OF 1			A3		

UNLESS OTHERWISE SPECIFIED: DIMENSIONS ARE IN MILLIMETERS and degrees TOLERANCES: LINEAR: 0.1 ANGULAR: 0.5

PROPRIETARY AND CONFIDENTIAL THE INFORMATION CONTAINED IN THIS DRAWING IS THE SOLE PROPERTY OF PERCEPTION SENSORS & INSTRUMENTATION LTD. ANY REPRODUCTION IN PART OR AS A WHOLE WITHOUT THE WRITTEN PERMISSION OF PERCEPTION SENSORS & INSTRUMENTATION LTD. IS PROHIBITED.