

90-3534B-710 ASLOC Single USB3 with Base

90-3534-710 ASLOC Single USB3

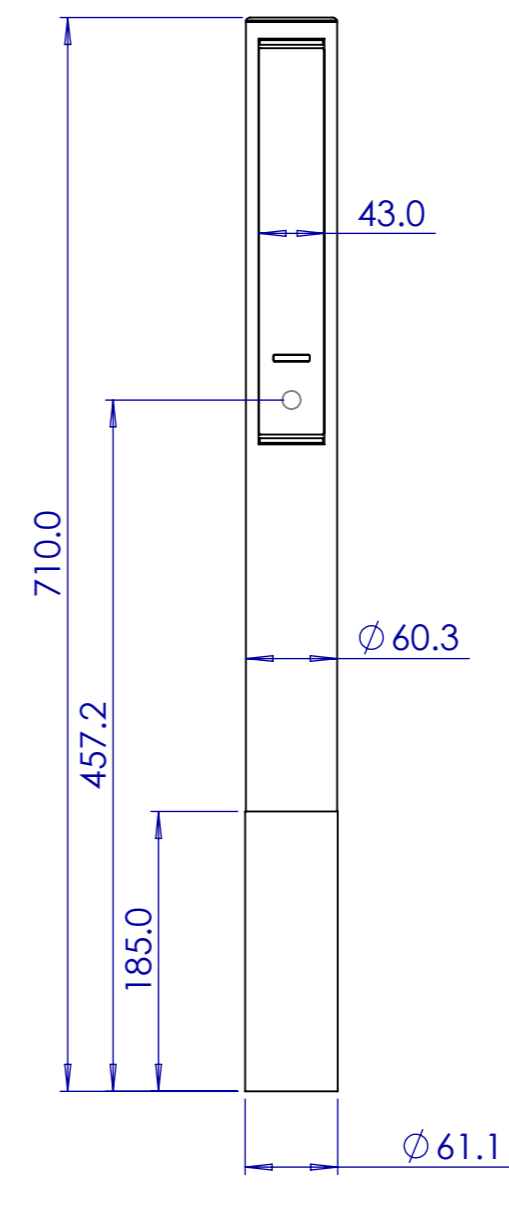
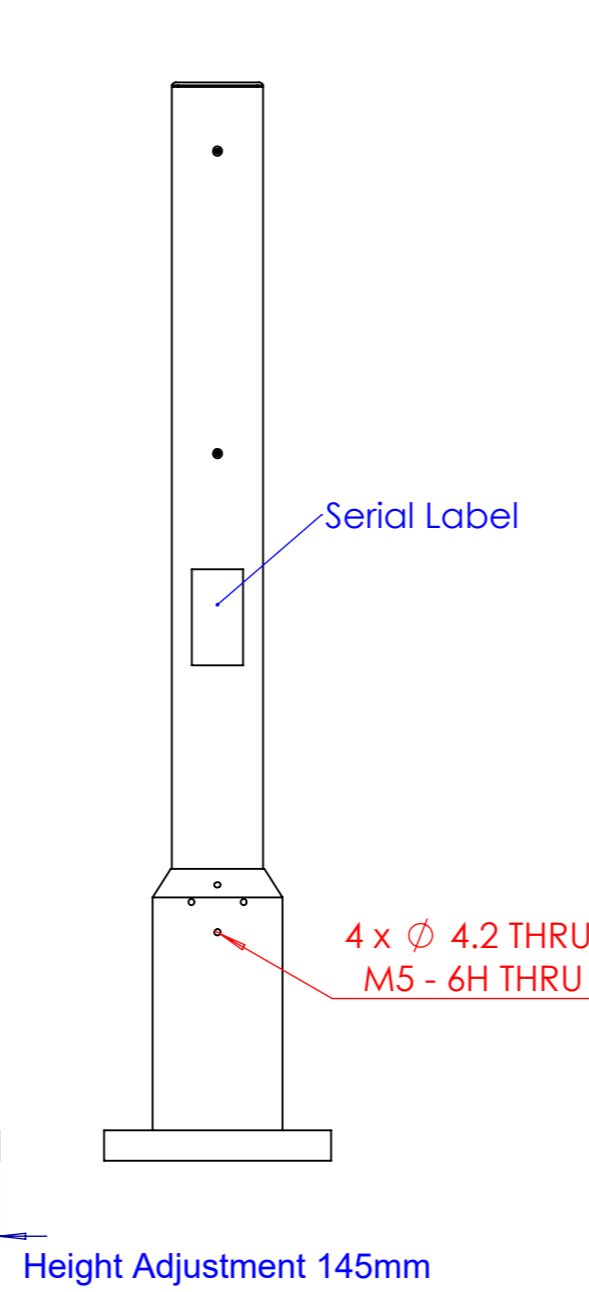
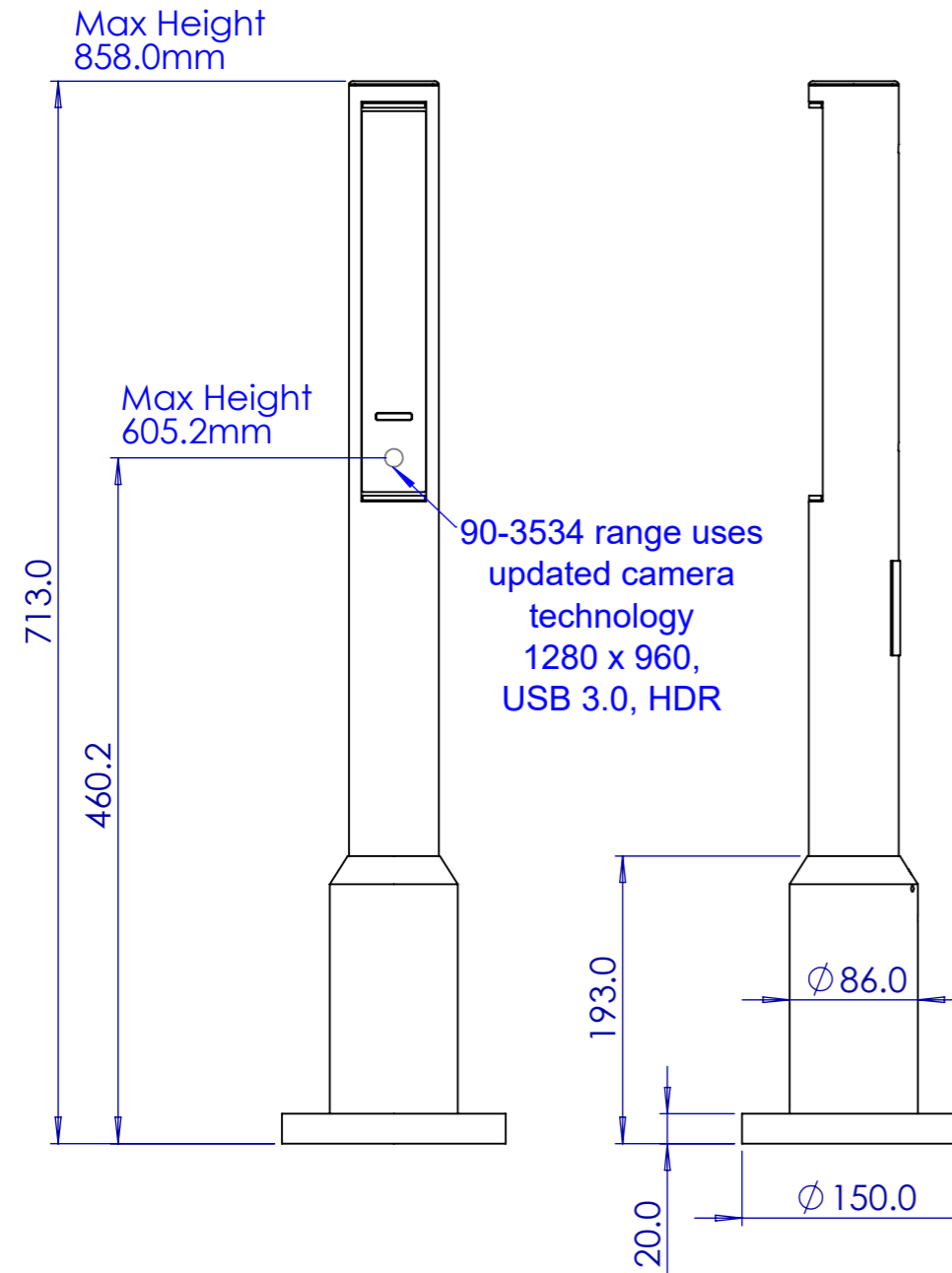
Front View

Side View

Rear View

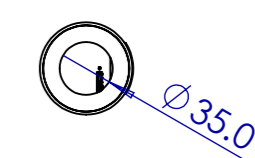
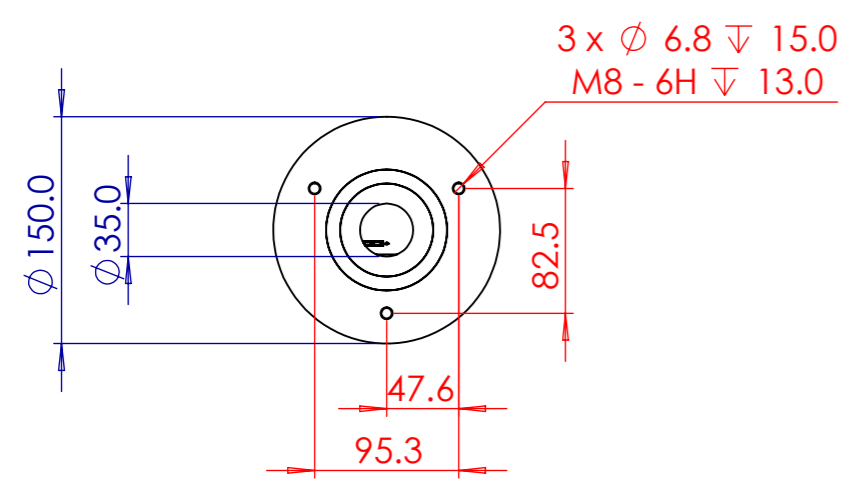
Front View

Side View



Bottom View

Bottom View



Height adjustment achieved by slightly loosening four M5 grub screws located at the top of the base to free the pole. Please note if adjusting from a position higher than minimum, hold the pole to avoid it dropping.

UNLESS OTHERWISE SPECIFIED: DIMENSIONS ARE IN MILLIMETERS and degrees TOLERANCES: LINEAR: 0.1 ANGULAR: 0.5

PROPRIETARY AND CONFIDENTIAL THE INFORMATION CONTAINED IN THIS DRAWING IS THE SOLE PROPERTY OF PERCEPTION SENSORS & INSTRUMENTATION LTD. ANY REPRODUCTION IN PART OR AS A WHOLE WITHOUT THE WRITTEN PERMISSION OF PERCEPTION SENSORS & INSTRUMENTATION LTD. IS PROHIBITED.

FINISH: Black Dry Powder Coated		DEBURR AND BREAK SHARP EDGES
NAME	SIGNATURE	DATE
DRAWN: M Wilkinson		25/06/2024
CHK'D: John Hyde		25/06/2024

<b>Perception Sensors &amp; Instrumentation LTD.</b>		
Description: 90-3534 ASLOC 710 Single USB3		
MATERIAL: Aluminium	DWG NO. 90-3534	REVISION: 1
WEIGHT: 2166.8	SCALE: 1:5	DO NOT SCALE DRAWING
SHEET 1 OF 1		A3