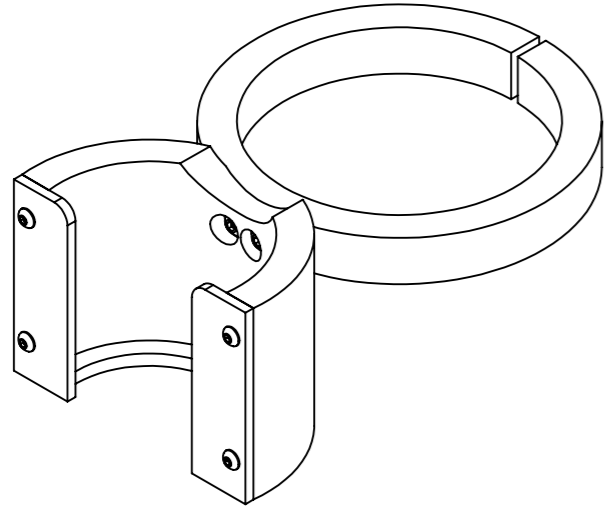
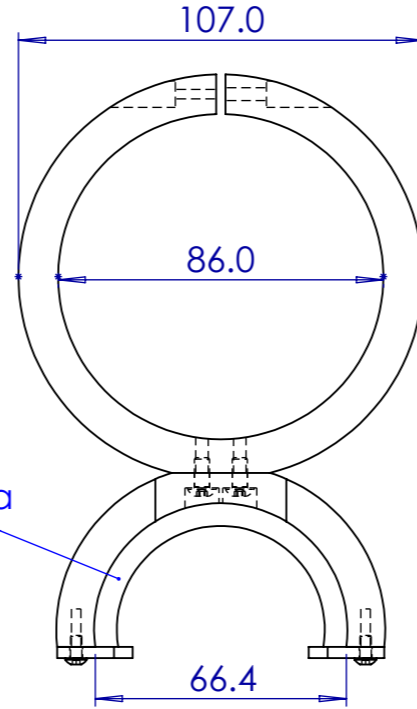


90-3533HB - ASLOC Handheld Camera Holding Bracket

Isometric View



Top View

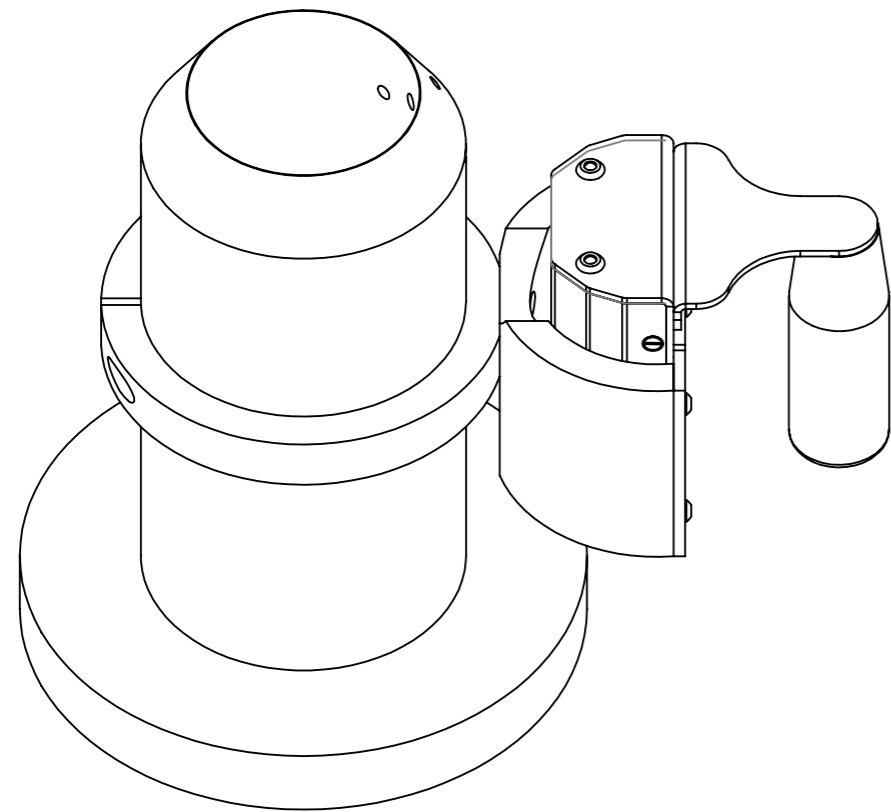


Handheld camera sits in this section

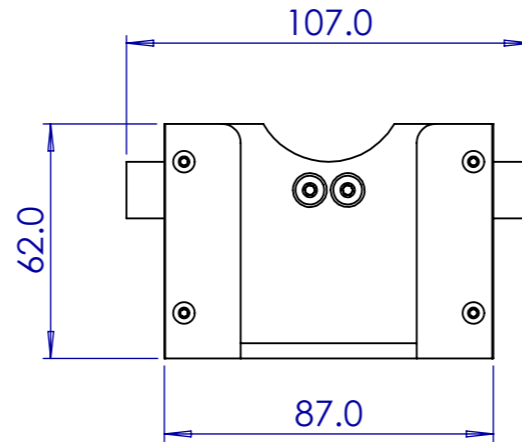
Side View

Clamp is adjusted using an M3 screw in the tap detail highlighted below in red

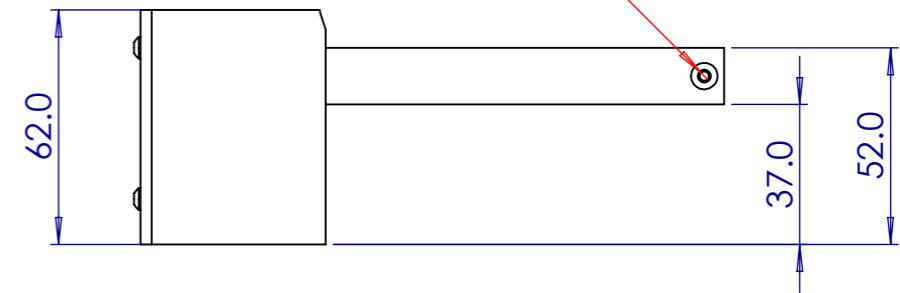
Holder clamped to ASLOC base with handheld camera in situ



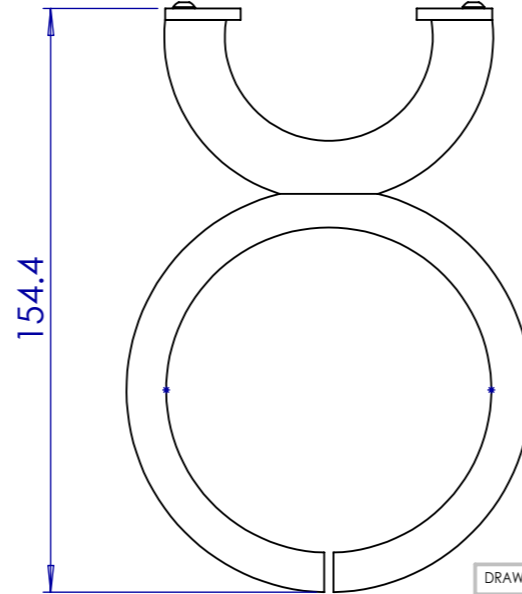
Front View



$\varnothing 2.5 \nabla 10.8$
M3 - 6H $\nabla 10.8$



Bottom View



FINISH: Black		DEBURR AND BREAK SHARP EDGES
NAME	SIGNATURE	DATE
DRAWN: M Wilkinson		26/06/2024
CHK'D: John Hyde		26/06/2024

Perception Sensors & Instrumentation LTD.

Description: Handheld Camera Holder Details

UNLESS OTHERWISE SPECIFIED:
DIMENSIONS ARE IN MILLIMETERS and degrees
TOLERANCES:
LINEAR: 0.1
ANGULAR: 0.5

PROPRIETARY AND CONFIDENTIAL
THE INFORMATION CONTAINED IN THIS DRAWING IS THE SOLE PROPERTY OF PERCEPTION SENSORS & INSTRUMENTATION LTD. ANY REPRODUCTION IN PART OR AS A WHOLE WITHOUT THE WRITTEN PERMISSION OF PERCEPTION SENSORS & INSTRUMENTATION LTD. IS PROHIBITED.

MATERIAL: Acetal

DWG NO.

90-3533HB

REVISION: 1

WEIGHT: 185.3

SCALE: 1:2

DO NOT SCALE DRAWING

SHEET 1 OF 1

A3